



SERIES AZ 14PAT

TIED DIAPHRAGM REGULATOR

PNEUMATIC ACTUATION

Intermediate to high flow applications

- Actuation control pressure isolated from process gas
- 100 psig outlet achieved with 80 psig control pressure or less
- Single stage
- Stainless steel 316L
- Cylinder or point of use specialty and bulk gases
- Flow rates to 400 slpm (21 scfm)
- Vacuum to 2,300 psig (158 bar) inlet
- 'Fail safe' normally closed (NC) actuation
- Installation and operating instructions available at www.aptech-online.com in the Tech Briefs section

Operating Parameters

Source pressure	AZ 14PAT	vacuum to 2,300 psig (159 bar)
	AZ 14PAT HR	vacuum to 3,000 psig (207 bar)**
Delivery pressure	AZ 14PAT	7 to 150 psig (0.5 to 10 bar)
Proof pressure		4,000 psig (276 bar); HR option 4,500 psig (310 bar)
Burst pressure		8,000 psig (552 bar); HR option 9,000 psig (620 bar)
Control pressure		150 psig (10 bar) maximum

Other Parameters

Inlet/outlet connectors	1/4, 3/8 or 1/2 inch face seal or tube weld
Flow coefficient (Cv)	0.45
Control pressure port	1/8 inch NPT
Bonnet vent port	1/8 inch NPT
Internal volume	1.06 in ³ (17.4 cm ³)
Operating temperature	-40° to +160°F (-40° to +71°C)
Surface finish	10 μin. (0.25 μm) Ra avg 25 μin. (0.62 μm) optional
Inboard leakage	2 x 10 ⁻¹⁰ sccs
Outboard leakage	2 x 10 ⁻⁹ sccs He
Leakage across seat	4 x 10 ⁻⁸ sccs He
Installation	surface
Delivery pressure rise	1.6 psig per 100 psig source pressure drop

Materials

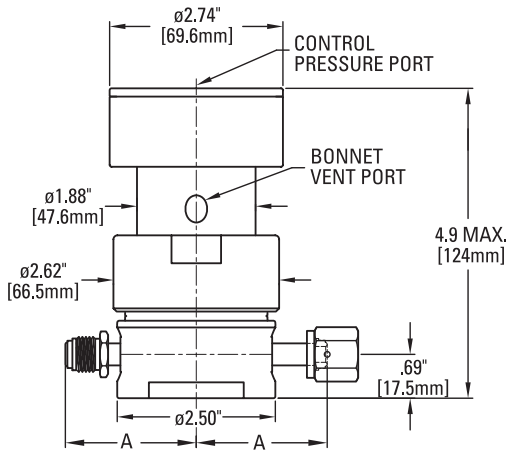
	Series AZ 14PAT S
Wetted Parts	
Body, nozzle	stainless steel 316L*
Diaphragm, poppet	Hastelloy® C-22®
Finish	electropolished and passivated
Seat	PCTFE (VespeI® optional)

All specifications subject to change without notice.

*Please refer to product note PN 414 regarding single melt 316L SS material.

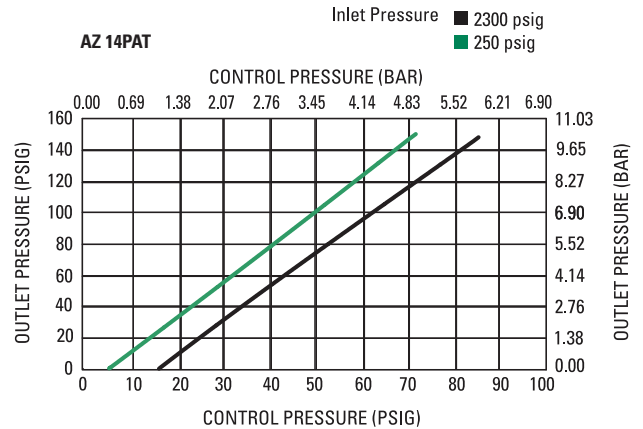
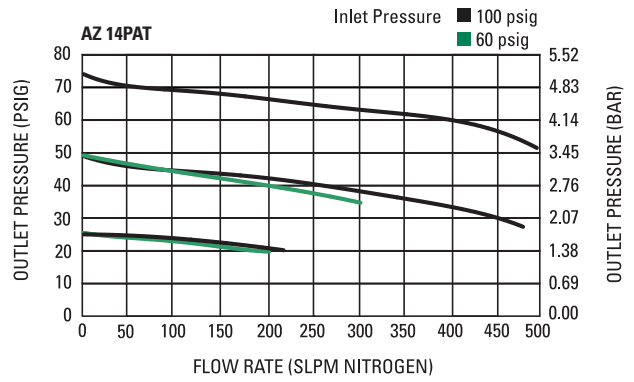
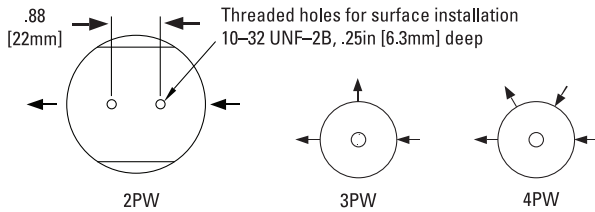
**HR option will not achieve rated outlet pressure at all inlet pressures.

Hastelloy® C-22® Haynes Corporation VespeI® DuPont



Face Seal	A	
	in	mm
1/4"	2.15 ±.01	55
3/8", 1/2"	2.61 ±.02	66

All dimensions in inches (mm).



CAUTION: Product selection is the sole responsibility of the user, regardless of any recommendations or suggestions made by the factory. The user shall make selections based upon their own analysis and testing with regard to function, material compatibility and product ratings. Proper installation, operation and maintenance are also required to assure safe, trouble free performance.

Sample Order Number

AZ 14PATSQ 3PW FV4 FV4 1

AZ 14PAT | Series

AZ 14PAT = 7-150 psig (.5 to 10 bar)

S | Material

S = Stainless steel (SS)

Q | Surface Finish Option

Q = 25 µin.

3PW | Ports

2PW = 2 ports butt weld
3PW = 3 ports butt weld
4PW = 4 ports butt weld

FV4 FV4 | Connections Inlet / Outlet

FV4 = 1/4 inch face seal female
MV4 = 1/4 inch face seal male
FV6 = 3/8 inch face seal female
MV6 = 3/8 inch face seal male
FV8 = 1/2 inch face seal female
MV8 = 1/2 inch face seal male

Tube weld stub available

1 | Gauges* Source / Delivery

0 = No gauge
V3 = 30-0-30 psig/bar
L = 30-0-60 psig/bar
1 = 30-0-100 psig/bar
2 = 0-200 psig/bar
4 = 0-400 psig/bar
10 = 0-1000 psig/bar
40 = 0-4000 psig/bar

* Standard gauge ports are 1/4 inch face seal male (1/4 inch face seal female are available).

| Options

VS = Vespel seat
HR = High inlet pressure**

**Full rate outlet pressure may not be achieved at all inlet pressures.