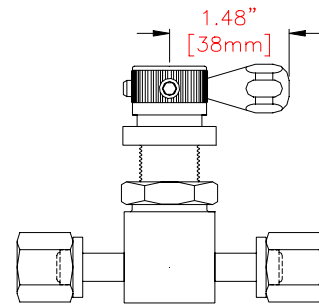
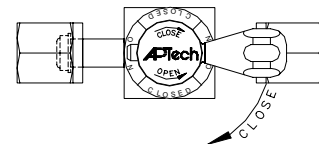


**Product Note, PN 415**  
**AP 3625/4625 Handle Selection**

The AP 3625 and AP 4625 series valves have four available configurations, one standard and three optional. Each are illustrated herein with the key dimensions noted. The standard configuration is the default and will be supplied unless a designator is included in the model number specifying an option. The option designators are included at the end of the model number, such as AP 3625 SM FV4 FV4 BB with the 'BB' specifying the option. The standard lever does not require a designator.

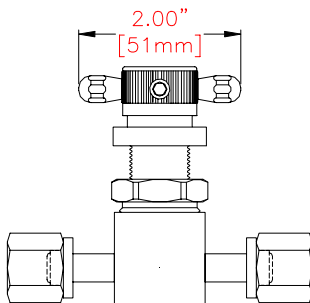
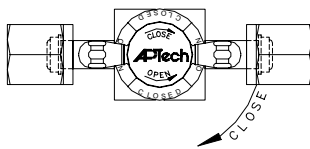
Please consult with your local distributor, or the factory directly, should further information or assistance be desired.

*STANDARD*



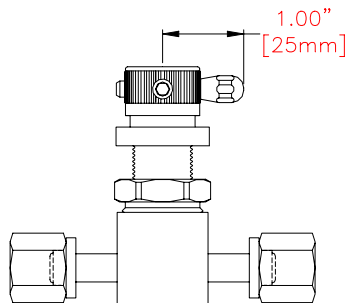
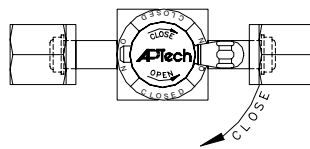
3000 PSI MAX.  
INLET PRESSURE

*TN*



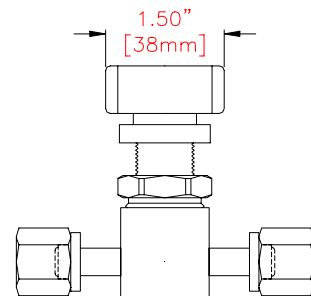
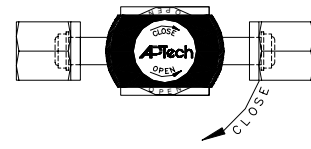
3000 PSI MAX.  
INLET PRESSURE

*BB*



250 PSI MAX.  
INLET PRESSURE

*LT*



250 PSI MAX.  
INLET PRESSURE