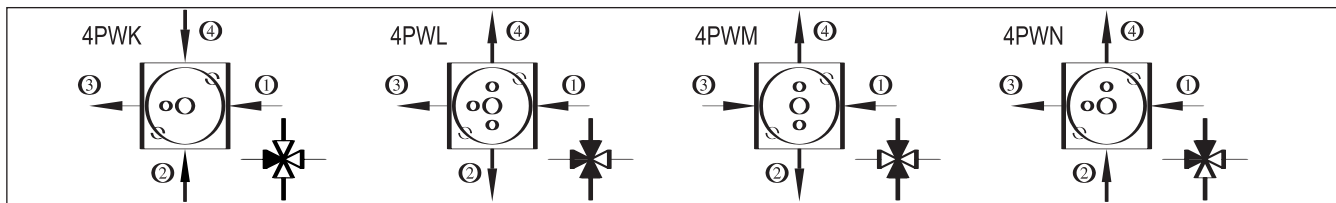
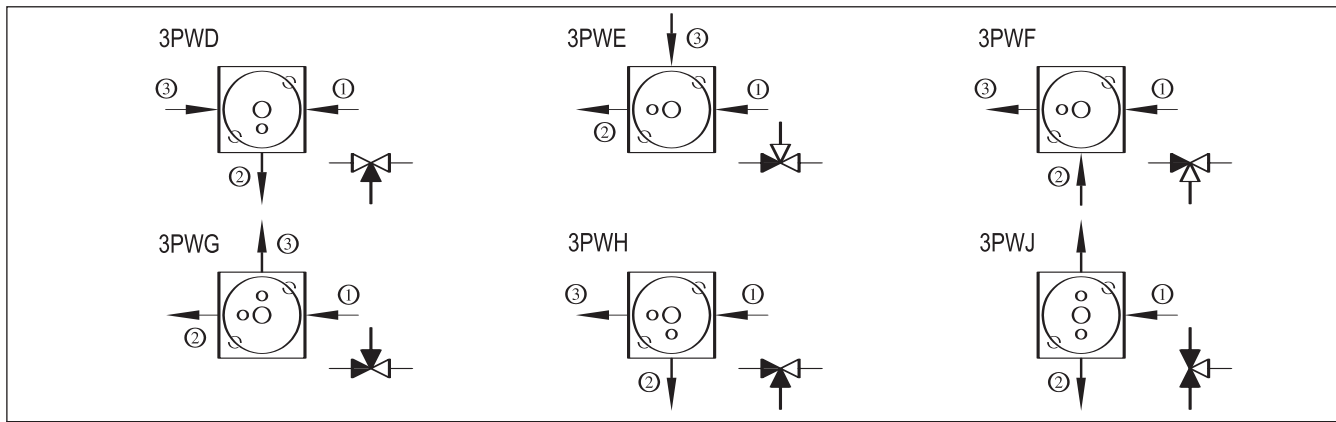
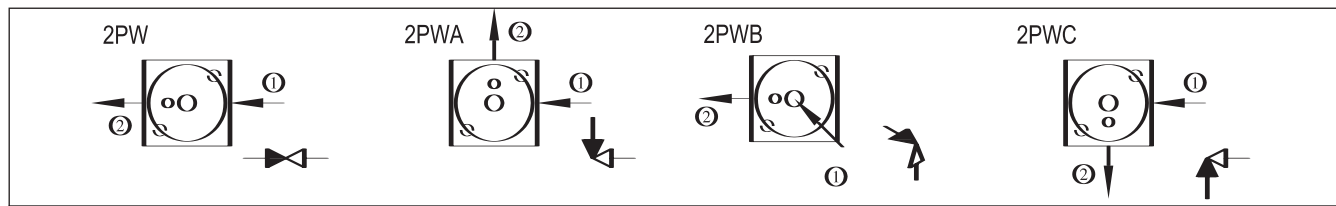
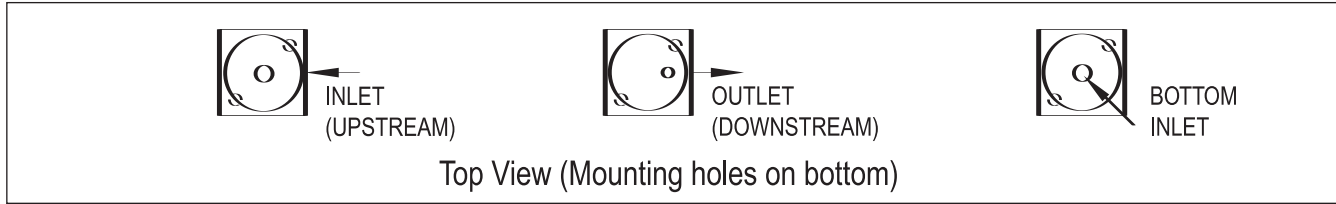


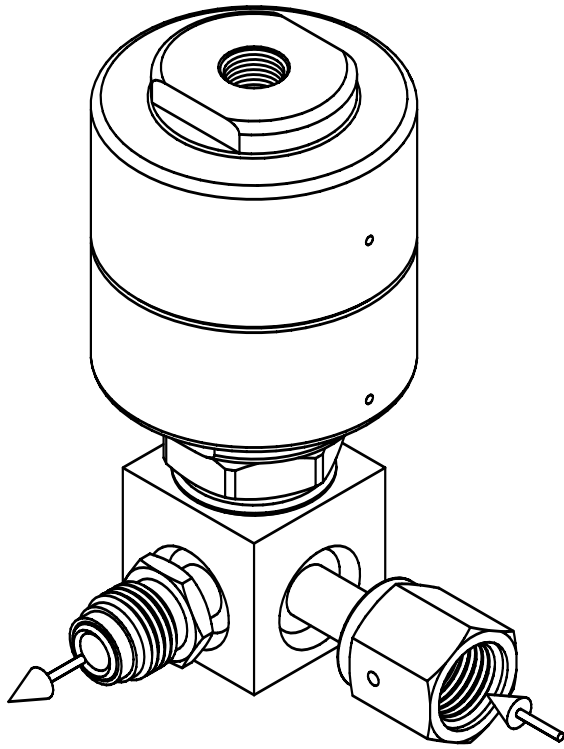
VALVE PORTING GUIDE

AP Tech Technical Bulletin 203

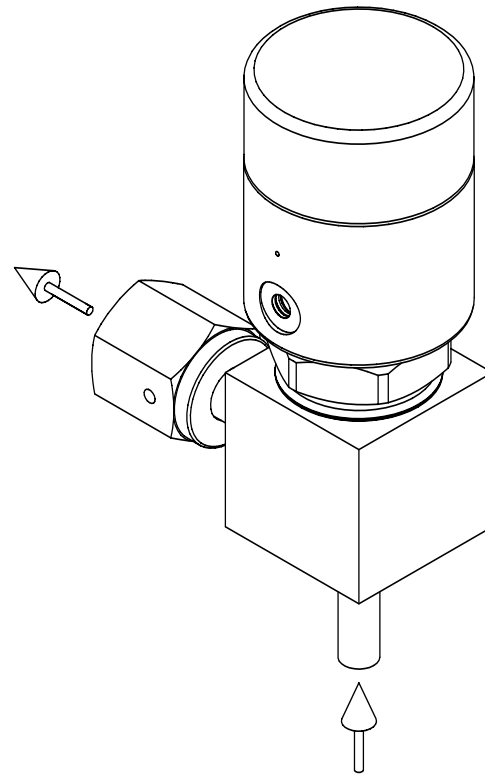


- Valves are illustrated top view looking down through the valve. Mounting holes on the valve bottom are shown for reference.
- Valve porting letter designator follows "PW" in the model number. eg: AP3000S 2PWC FV4 MV4.
- INLET (Upstream) is defined as a port connected to the region below the valve seat. It is illustrated with an arrow pointing towards the valve body or an "empty" triangle on the schematic.
OUTLET (Downstream) is defined as a port connected to the region above the seat and below the diaphragm. It is illustrated with an arrow pointing away from the valve body or a "filled" triangle on the schematic.
- The traditional flow direction is INLET to OUTLET, but AP Tech valves may be employed in either flow direction.
- A bottom entry port is always an INLET port and is illustrated with an arrow touching the center of the valve from the lower right hand corner of the body.
- End connections are specified in numerical order per the diagram's numbered arrows.
- Please consult your local representative or the factory for further questions, availability or pricing.

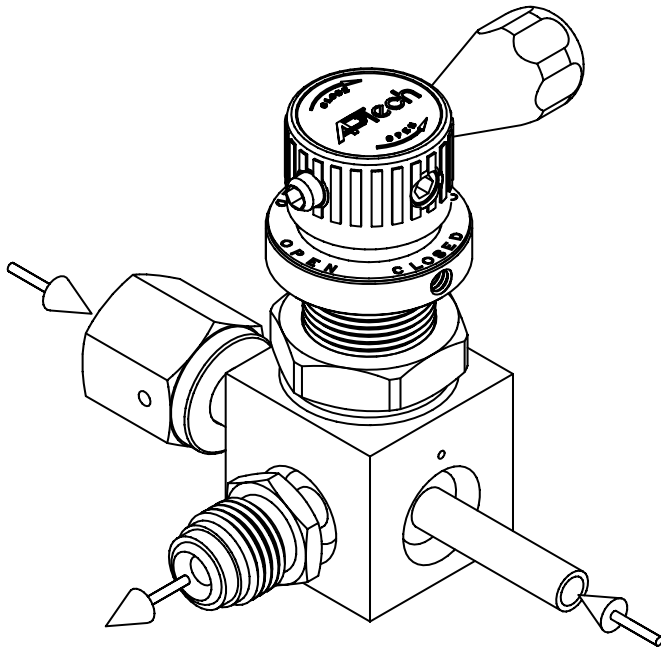
EXAMPLES OF THE MANY AVAILABLE OPTIONS



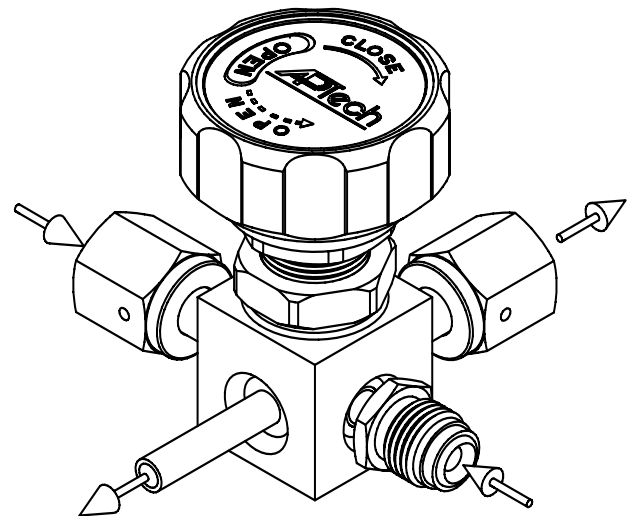
AP3000S 2PWC FV4 MV4



AP3550S 2PWB TW4 FV4



AP3625S 3PWD TW4 MV4 FV4



AP3650S 4PWM MV4 TW4 FV4 FV4

SAMPLE MODEL NUMBERS