

SURFACE MOUNT DEVICES

PRESSURE REGULATORS AND VALVES

SERIES FA

TECHNICAL BULLETIN 207A

1 1/8" IGS Components

Counterbore 'C' Seal
Compatible Design

TABLE 1. VALVE AND REGULATOR CONFIGURATIONS

AP 3545 Pneumatic Valve, NC	AP 3585 Pneumatic Valve, NO	AP 500 Pressure Regulator
	<p>Top View</p> <p>VALVE SHOWN IN OPEN POSITION 1/4 TURN CLOCKWISE TO CLOSE</p>	<p>Common Bottom View</p>
<ul style="list-style-type: none"> ■ Valve and pressure regulator specification determined by series selection. Please refer to individual data sheet for the selected series to review specifications and materials of construction. ■ Bottom views are common to all 'FA' series components. ■ AP 3545 and AP 3585 are equivalent to AP 3540 and AP 3580 respectfully. ■ AP 3625 has optional lock out / tag out feature. ■ *TK option, tall knob, OAH 4.9 inch (124.46mm) ■ Optional configurations and features available, please consult your local distributor or the factory directly. 		

SURFACE MOUNT

TABLE 2. VALVE AND REGULATOR PORTING CONFIGURATION

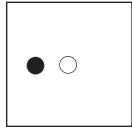
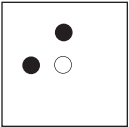
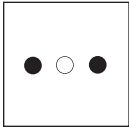
 <p>2P</p>	 <p>3PG</p>	 <p>3PJ</p>	<p>○ – INLET</p> <p>● – OUTLET</p>
<ul style="list-style-type: none"> ■ Inlet port denoted with a circle. Inlet defined as upstream and connected to the region below the seat. ■ Outlet port denoted with a dot. Outlet defined as downstream and connected to the region below the diaphragm and above the seat. ■ Valves may be used in either flow direction – conventional inlet to outlet or the reverse, outlet to inlet. ■ Pressure regulators must be only used in one flow direction – inlet to outlet. ■ Pressure regulator porting limited to the 2P configuration. 			

TABLE 3. ORDERING INFORMATION

Series AP 3625	S Material	M Surface Finish Options	3PG Porting*	FA
AP 3545 AP 3585 AP 3625 AP 500		M = 10μ in. Ra V = 7μ in. Ra X = 5μ in. Ra	2P = 2 Port 3PG = 3 Port 3PJ = 3 Port	FA = 1 1/8" Surface Mount VS = Vespel Seat** TK = Tall Knob (AP 500 only)
S = 316L SS Secondary Remelt				* Valves available with each of the porting options. Pressure regulators only available in a 2P configuration.

AP Tech makes no claims regarding surface mount design's suitability for a given purpose or application. All specifications and dimensions subject to change without notice.